

# 630W DE CMH GROW LIGHT

## Grow Light



**Application:**  
Greenhouses, Climate houses etc.

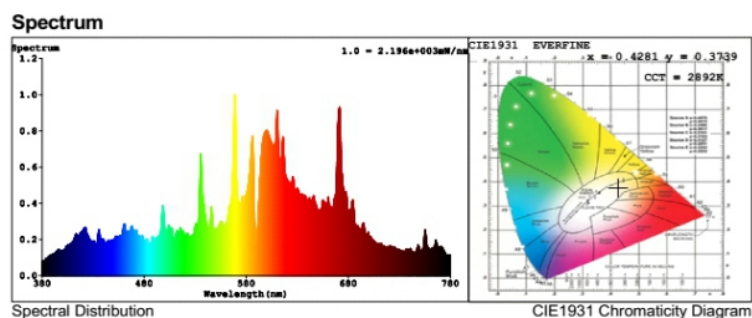
### Product Introduction

- The whole set of luminaire consist of lamp, ballast and fixture.
- The wattage of light is adjustable by the knob of the ballast.
- The blue light output boost the growth of leaves of plant.
- 3 years warranty

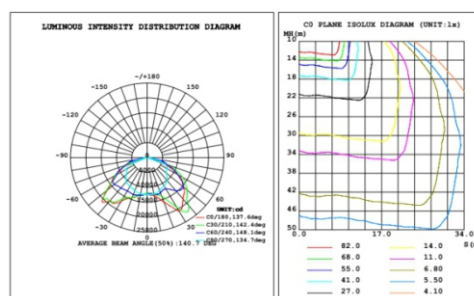
### Note:

Disconnect the product from mains before performing any maintenance or repairment.  
Wait 20 mins before activating the fixture after maintenance or repairment  
Do not touch the lamp with bare hands  
Check the wiring of the products regularly to ensure the product works safely.

### Spectral Distribution



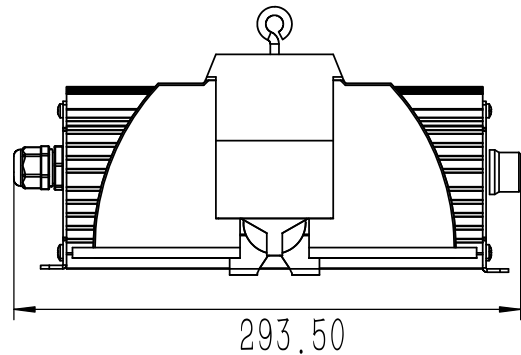
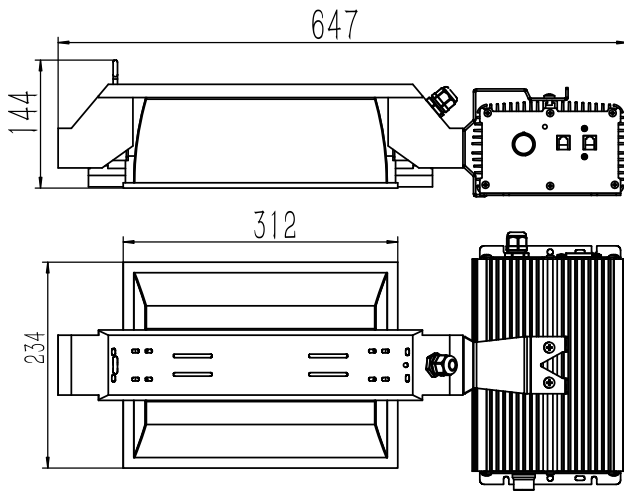
### Distribution Curve Flux



# 630W DE CMH GROW LIGHT

## Grow Light

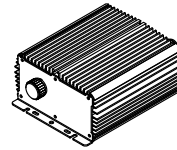
### Dimension



Dimming Type					
Gear	400	480	630	super	EXT

1.External control:Master Controller

### Product Information and Specification



#### 630W Integrated Ballast

Input Voltage	[V]	120-277
Input Frequency	[HZ]	50/60
Input Power Factor	cosΦ	≥0.98
THD	[%]	≤10
Wave Crest Ratio	[Ω]	≤1.7
Starting Time	[S]	5 Max
Pulse Voltage	[KV]	4-6
Output Rated Frequency	[HZ]	220
Open Circuit Voltage	[V]	≤450
Efficiency	[%]	≥92%

#### 630W CMH Lamp

Voltage	[V]	240
Current	[A]	2.63
Wattage	[W]	630
Lumens(Whole luminaire)	[lm]	75000
Bulb Type		T20
CCT	[K]	3000K/4000K
CRI	[Ra]	90
PPFD	[Umol/s/w]	1.8
Average Life	[hrs]	12000